

Tubular Solenoid

Long Life Linear

Pull SDT2039L-2XX

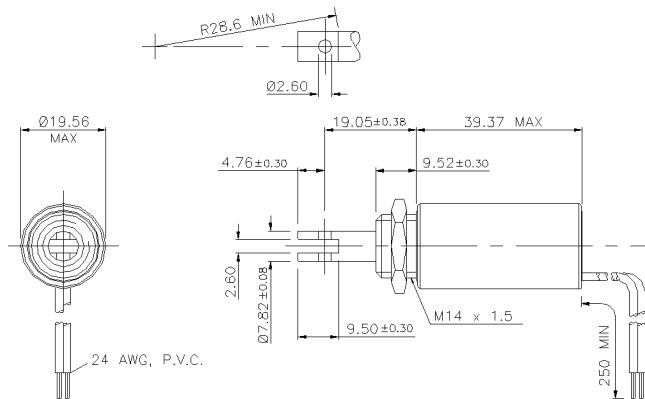


- **Dielectric Strength:** 1000 VRMS
- **Recommended Heat Sink:** Maximum watts dissipated by the solenoid are based on an unrestricted flow of air at 20° C mounted on the equivalent of an aluminium plate 76 x 76 x 3.2mm min.

General Specifications:

- **Coil Resistance:** +/- 5% tolerance
- **Holding Force:** 12.8 N @ 20° C
- **Weight:** 74.9 g
- **Plunger Weight:** 18.0 g

Solenoid shown in energised position

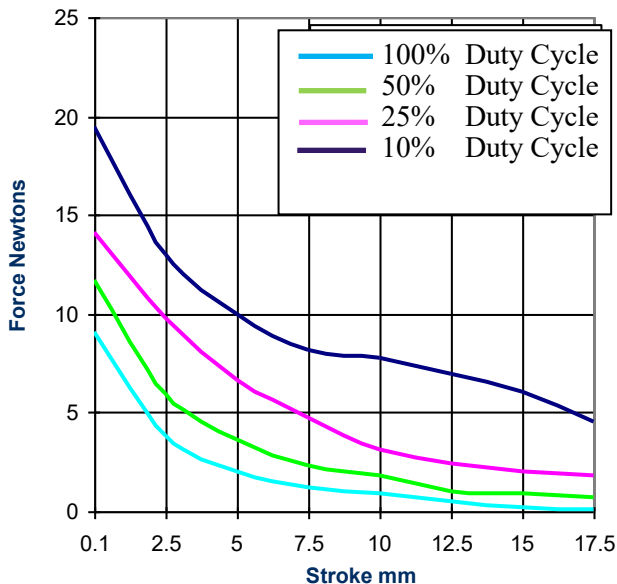


Notes

1. Continuously pulsed at stated watts and duty cycle
2. Single pulsed at stated watts (with coil at ambient room temperature 20°C)
3. Other coil gauges available, consult factory
4. Reference number of turns
5. Anti rotational mounting bushes available on request

Performance Specification

Typical Starting Force @ 20°C



How to Order

Add the coil awg. number to the part number

SDT2039L-2XX

Alternatively please specify:

- Voltage
- Duty Cycle
- Starting Force
- Stroke Required

Coil Specifications

Maximum Duty Cycle	100%	50%	25%	10%
Maximum ON Time (seconds) When pulsed continuously (1)	∞	230	25	6
Maximum ON Time (seconds) for single pulse (2)	∞	265	63	15
Watts (@20° C)	7	14	28	70
Ampere Turns (@ 20° C)	855	1200	1700	2700

Coil Data

awg. (2XX) (3)	Resistance (@ 20°C)	# Turns (4)	Nominal DC Voltage			
25	2.13	488	3.9	5.5	7.7	12.2
26	2.9	544	4.5	6.4	9.0	14.2
27	5.27	760	6.1	8.6	12.1	19.2
28	9.15	1026	8.0	11.3	16.0	25.0
29	12.5	1146	9.4	13.2	18.7	30.0
30	20.7	1491	12.0	17.0	24.0	38.0
31	33.6	1904	15.0	22.0	31.0	48.0
32	53.5	2394	19.4	27.0	39.0	61.0
33	83.5	2970	24.0	34.0	48.0	76.0

Please Note: In line with continued development we reserve the right to amend specification without prior notice (Rev 02/19)

NSF Controls Ltd | Ingrow Bridge Works | Keighley | West Yorkshire | BD21 5EF | UK | Registered in England No. 3378269

T: +44 (0) 1535 661 144 | F: +44 (0) 1535 661 474 | E: info@nsfcontrols.co.uk | www.nsfcontrols.co.uk