

CATALOGUE DATA

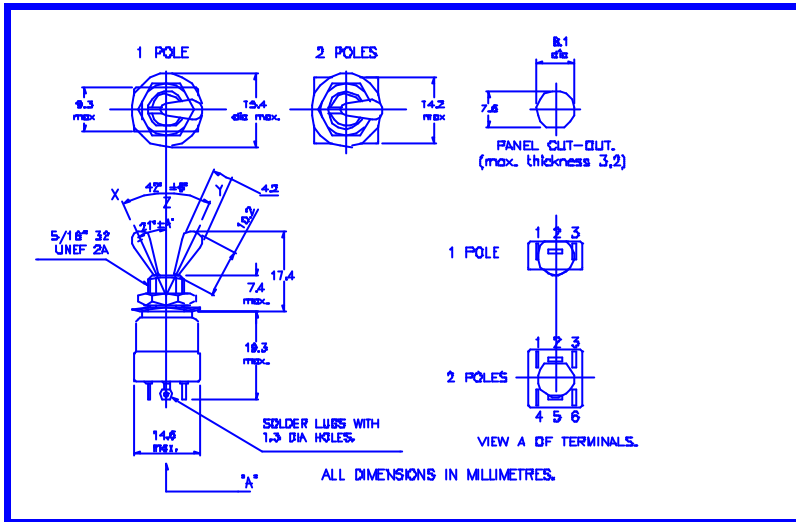
DOUBLE POLE

FINISH	TYPE No. - GOLD CONTACTS			FUNCTION	BIAS RETURNS LEVER FROM	CONNECTIONS WITH LEVER AT POSITION			OPERATING FORCE (N)	
	RIGHT ANGLED CONTACTS	SOLDER LUGS	STRAIGHT CONTACTS			X	Z	Y	MAX	MIN
PASSIVATED	5001	7001	9001	ON - OFF - ON	-	2 - 3 & 5 - 6	OFF	1 - 2 & 4 - 5	12	2
	5002	7002	9002	ON - OFF - ON	X and Y to Z	2 - 3 & 5 - 6	OFF	1 - 2 & 4 - 5	17	6
	5003	7003	9003	ON - OFF - ON	Y to Z	2 - 3 & 5 - 6	OFF	1 - 2 & 4 - 5	17	2
	5004	7004	9004	ON - NONE - ON	-	2 - 3 & 5 - 6	-	1 - 2 & 4 - 5	12	2
	5005	7005	9005	ON - OFF - NONE	-	2 - 3 & 5 - 6	OFF	-	12	2
	5006	7006	9006	NONE - OFF - ON	Y to Z	-	OFF	1 - 2 & 4 - 5	17	6
	5007	7007	9007	ON - NONE - OFF	-	2 - 3 & 5 - 6	-	OFF	12	2
	5008	7008	9008	NONE - ON - ON	Y to Z	-	2 - 3 & 5 - 6	1 - 2 & 4 - 5	17	6
	5009	7009	9009	ON - ON - ON	-	2 - 3 & 5 - 6	1 - 2 & 5 - 6	1 - 2 & 4 - 5	12	2
	5010	7010	9010	ON - ON - ON	Y to Z	2 - 3 & 5 - 6	1 - 2 & 5 - 6	1 - 2 & 4 - 5	17	2
	5011	7011	9011	ON - ON - ON	X and Y to Z	2 - 3 & 5 - 6	1 - 2 & 5 - 6	1 - 2 & 4 - 5	17	6
MATT BLACK	5101	7101	9101	ON - OFF - ON	-	2 - 3 & 5 - 6	OFF	1 - 2 & 4 - 5	12	2
	5102	7102	9102	ON - OFF - ON	X and Y to Z	2 - 3 & 5 - 6	OFF	1 - 2 & 4 - 5	17	6
	5103	7103	9103	ON - OFF - ON	Y to Z	2 - 3 & 5 - 6	OFF	1 - 2 & 4 - 5	17	2
	5104	7104	9104	ON - NONE - ON	-	2 - 3 & 5 - 6	-	1 - 2 & 4 - 5	12	2
	5105	7105	9105	ON - OFF - NONE	-	2 - 3 & 5 - 6	OFF	-	12	2
	5106	7106	9106	NONE - OFF - ON	Y to Z	-	OFF	1 - 2 & 4 - 5	17	6
	5107	7107	9107	ON - NONE - OFF	-	2 - 3 & 5 - 6	-	OFF	12	2
	5108	7108	9108	NONE - ON - ON	Y to Z	-	2 - 3 & 5 - 6	1 - 2 & 4 - 5	17	6
	5109	7109	9109	ON - ON - ON	-	2 - 3 & 5 - 6	1 - 2 & 5 - 6	1 - 2 & 4 - 5	12	2
	5110	7110	9110	ON - ON - ON	Y to Z	2 - 3 & 5 - 6	1 - 2 & 5 - 6	1 - 2 & 4 - 5	17	2
	5111	7111	9111	ON - ON - ON	X and Y to Z	2 - 3 & 5 - 6	1 - 2 & 5 - 6	1 - 2 & 4 - 5	17	6

CATALOGUE DATA

SINGLE POLE.

FINISH	TYPE No. - GOLD CONTACTS			FUNCTION	BIAS RETURNS LEVER FROM	CONNECTIONS WITH LEVER AT POSITION			OPERATING FORCE (N)	
	RIGHT ANGLED CONTACTS	SOLDER LUGS	STRAIGHT CONTACTS			X	Z	Y	MAX	MIN
PASSIVATED	4001	6001	8001	ON - OFF - ON	-	2 - 3	OFF	1 - 2	12	2
	4002	6002	8002	ON - OFF - ON	X and Y to Z	2 - 3	OFF	1 - 2	17	6
	4003	6003	8003	ON - OFF - ON	Y to Z	2 - 3	OFF	1 - 2	17	2
	4004	6004	8004	ON - NONE - ON	-	2 - 3	-	1 - 2	12	2
	4005	6005	8005	ON - OFF - NONE	-	2 - 3	OFF	-	12	2
	4006	6006	8006	NONE - OFF - ON	Y to Z	-	OFF	1 - 2	17	6
	4007	6007	8007	ON - NONE - OFF	-	2 - 3	-	OFF	12	2
	4008	6008	8008	NONE - ON - ON	Y to Z	-	2 - 3	1 - 2	17	6
MATT BLACK	4101	6101	8101	ON - OFF - ON	-	2 - 3	OFF	1 - 2	12	2
	4102	6102	8102	ON - OFF - ON	X and Y to Z	2 - 3	OFF	1 - 2	17	6
	4103	6103	8103	ON - OFF - ON	Y to Z	2 - 3	OFF	1 - 2	17	2
	4104	6104	8104	ON - NONE - ON	-	2 - 3	-	1 - 2	12	2
	4105	6105	8105	ON - OFF - NONE	-	2 - 3	OFF	-	12	2
	4106	6106	8106	NONE - OFF - ON	Y to Z	-	OFF	1 - 2	17	6
	4107	6107	8107	ON - NONE - OFF	-	2 - 3	-	OFF	12	2
	4108	6108	8108	NONE - ON - ON	Y to Z	-	2 - 3	1 - 2	17	6



General Information

These Miniature sealed switches were developed for the Ministry of Defence primarily for use in services radio, radar and electronic equipment to operate under extremely hostile and rigorous environmental conditions. The 2 piece lever is linked mechanically to the movable contact member, ensuring a positive make and break action, and moves along a slot in the bush for protection against knocks.

Contacts are gold plated, have wiping action and are suitable for dry circuit conditions *provided that they are not previously used or tested at currents and voltages in excess of 0.1A 6Vdc.*

Standard specification includes lever and panel seals, lock washer and fixing nuts. These switches are also available with matt black levers and bushes. The recommended method for terminal soldering is fully described in engineering data sheet LA1. The switches are also available with straight or right angled printed circuit terminals for direct fitting into the printed circuit board.

Characteristics

Electrical.

Voltage	Current	Volt/amp	Type of load
30Vdc. max.	5 A max.	150	Resistive
125 Vrms. max.	2 A max.	250	Non-reactive
5 mVdc. min.	25µA min.	125 x 10 ⁹	Resistive
Proof Voltage:	500 Vrms		
Insulation resistance:	Initial, greater than 100 megohms.		
Contact resistance:	Initial, not greater than 5 milliohms measured at 10m Vrms. 10mA max.		

Mechanical.

Environmental category:	40/85/21
Endurance:	20,000 cycles. Normal and upper temperature.
Lever operating force:	up to 6.7N (1.5lb)
Weight:	single pole. 6.8 grms double pole. 7.9 grms
Sealing (max. leakage rate)	1 cm ³ /h at 100 kN/m ² to 110kN/m ²

Materials.

Contacts and terminals:	Gold Plated Silver.
Housing and lever; nut and washer:	Stainless Steel.
Insulation:	Nylon filled phenolic.